



Properties

- Ø30 mm housing
- 15 mm, flush mountable
- AC/DC, 2-wire switching output
- Cable and connector versions

Technical Data

For detailed data and product description refer to the data sheets at www.pepperl-fuchs.com

General Data

Rated operating distance	15 mm
Installation	flush
Operating voltage	20 ... 250 V AC/20 ... 300 V DC
Reverse polarity protection	tolerant
Switching frequency	30 Hz
Operating current	4 ... 500 mA AC/DC
Short-circuit protection	✓
Operating voltage display	LED, green
Indication of the switching state	LED, yellow
Ambient temperature	-25 ... 70 °C (-13 ... 158 °F)
Housing material	brass, nickel-plated
Protection degree	IP67

Model Number

			NBB15-30GM50-US	NBB15-30GM50-UO	NBB15-30GM50-US-V12	NBB15-30GM50-UO-V12	NBB15-30GM50-US-V93	NBB15-30GM50-UO-V93
Switching element function	AC/DC	NO	●	●	●	●	●	●
	NC			●		●		●
Type of voltage	UC		●					
Connection type	Device connector 1/2"-20 UN , 3-pin				●			
	Device connector 7/8"-16 UN , 3-pin						●	●
	Device connector M12 x 1 , 3-pin					●		
	cable PUR , 2 m		●	●				

Approvals and Certificates

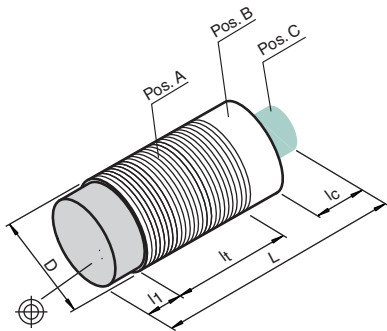
UL approval	cULus Listed, General Purpose	●	●	●	●	●	●	●
CSA approval	cCSAus Listed, General Purpose	●	●	●	●	●	●	●
CCC approval	Certified by China Compulsory Certification (CCC)	●	●	●	●	●	●	●

Dimensions

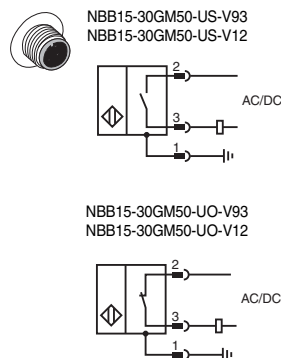
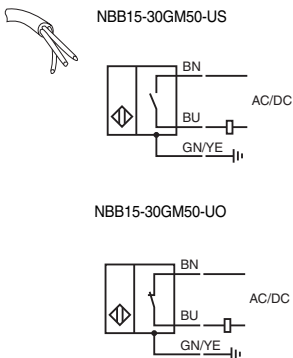
Length L [mm]		51	60	65
Diameter D [mm]			30	
Thread length l _t [mm]			50	
Cap length l ₁ [mm]			0	
Connector area l _c [mm]			10	15
LED position			Pos. B	

Accessories This and more accessories can be found in chapter 10

BF 30	Mounting flange, 30 mm	See pages from 972 ... for cordsets	See pages 1068 ... for mounting aids
EXG-30	Quick mounting bracket with dead stop		



Electrical Connection



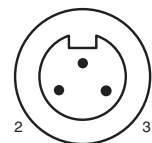
V12



Wire colors

1	GN (green)
2	RD/BK (red/black)
3	RD/WH (red/white)

V93



Wire colors

1	GN (green)
2	BK (black)
3	WH (white)